



PROFESSIONAL GOLF CLUBS AT DOWN TO EARTH PRICES

2010 Product Preview

with Jeff Summitt
Technical Director, Hireko Golf

Thursday January 21, 2010
2-3PM Eastern Standard Time

Audio settings are set on listen only.
Please post questions in the upper right hand corner Chat box.
Question & Answer period will be at end of webinar.

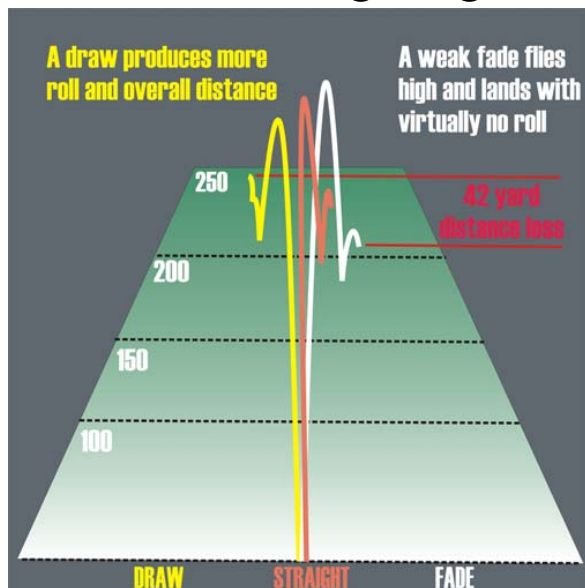
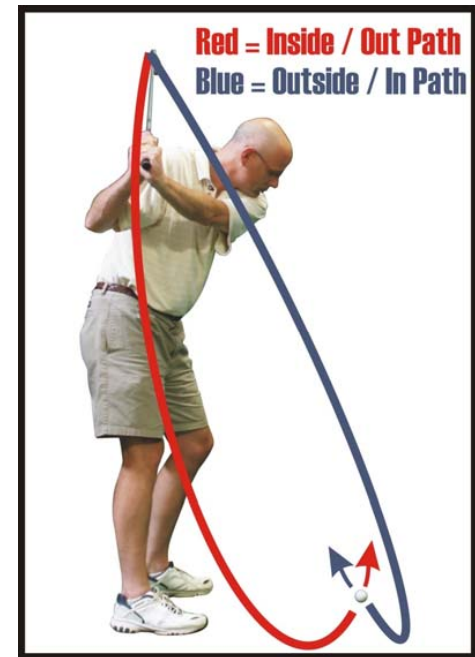
www.hirekogolf.com

800 367-8912



Acer XDS Insider Titanium Drivers

- Subtle ridge on crown as a visual aid for swing path
- Face angle is more closed
- Crown is masked differently so it doesn't look as closed
- Better face construction – variable thickness + cup face = more distance on off-center shots
- Internal weighting for draw enhancement

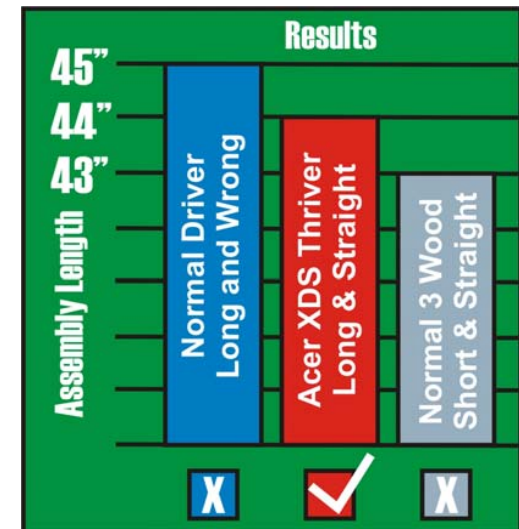
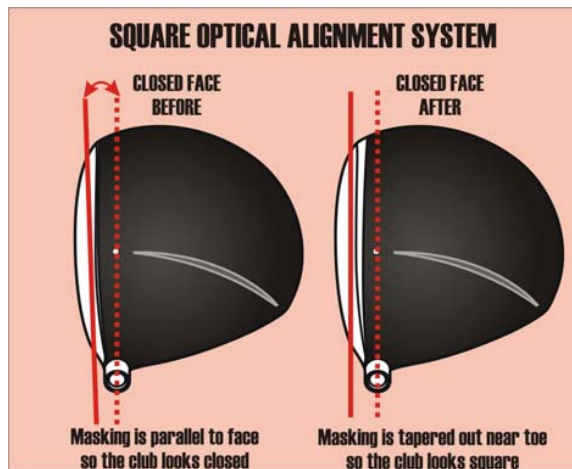


Available: RH 10.5°, 12° LH 10.5°



Acer XDS Insider Titanium “Thriver”

- Thriver is derived from combining Three wood + Driver
- Combines size and forgiveness of driver with loft and reduced length of a 3-wood for accuracy
- 14° loft - further reduces side spin and amount of slicing off the tee as well as a high launch angle, but not as high as a 3 wood
- Same features as standard XDS Insider driver, but 10g heavier

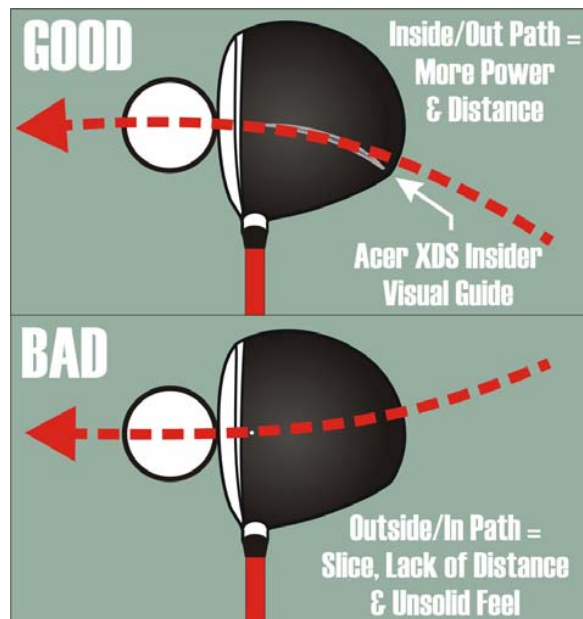


Available: RH & LH



Acer XDS Insider Fairways

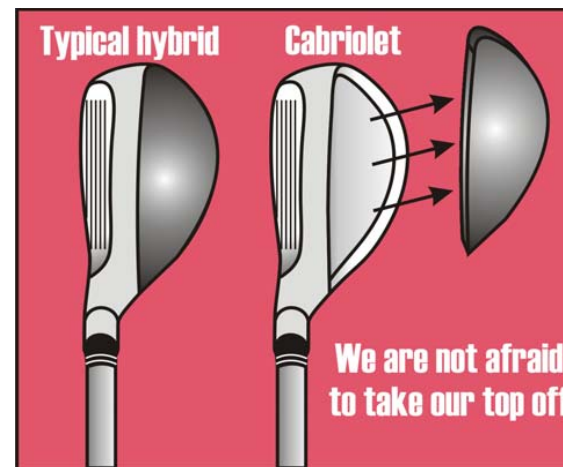
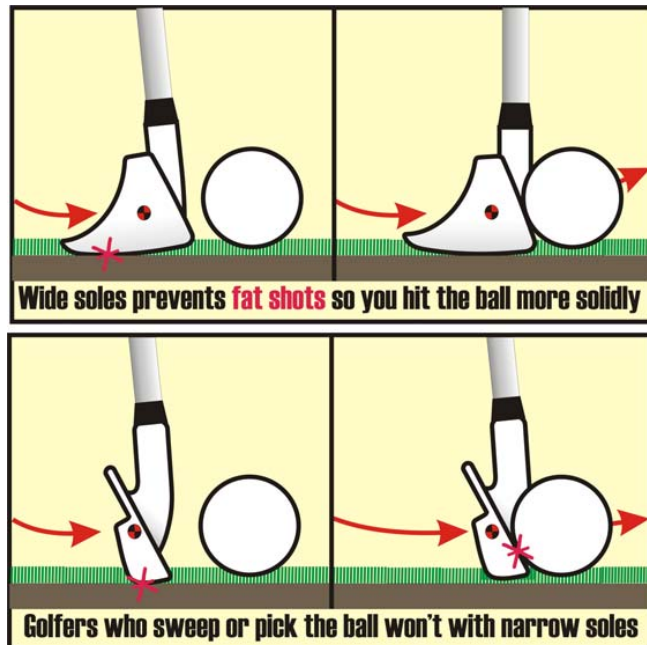
- Subtle ridge on crown as a visual aid for swing path
- Face angle is progressive, more closed in 3-wood, less in the 5-wood and square in the 7-wood
- Crown is masked differently on each to make them all look square at address
- Variable Face thickness
- Variable Crown thickness – to move more weight lower
- Shallow face



Available: RH 3, 5 & 7, LH 3 & 5

Acer XDS Cabriolet Irons

- Each club is progressively wider with the wedges being about the same width as our old XDS Wide Sole irons we sold so well
- #3 is the widest, like most hybrids and everything else falls in-between
- Designed for beginners to intermediate golfers looking to hit the ball high and straight (not necessarily longer as we have other clubs for that)

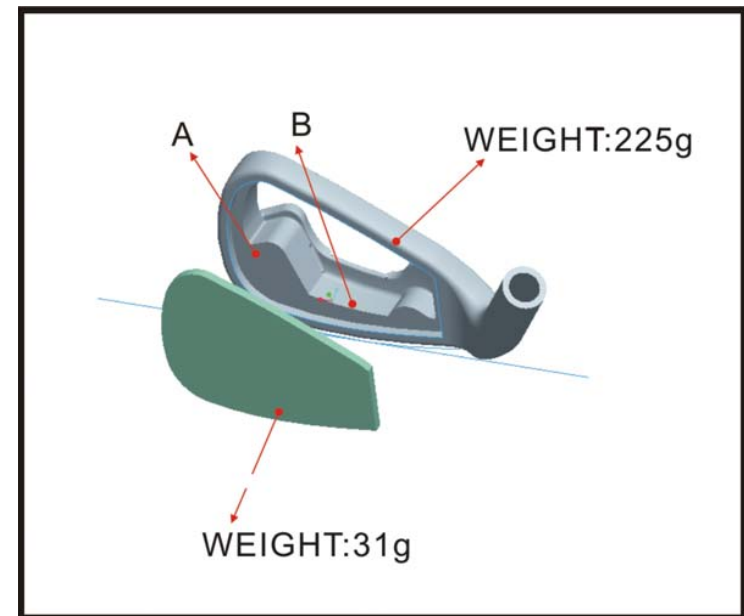


Available: RH 3-9, PW, AW, SW, LH 3-9, PW, SW



Acer XK Ti-Ceptional Irons

- Higher ball speed off the face for more distance
- More importantly, saves 25g of weight that is put to better use so the club is even more forgiving
- Stronger (or lower lofts) to maintain the same trajectory as the standard Acer XK
- Ti-Ceptional = **T**itanium face and Ex**ceptional** Results



Available: RH 3-9, PW, SW

acer

Power Play

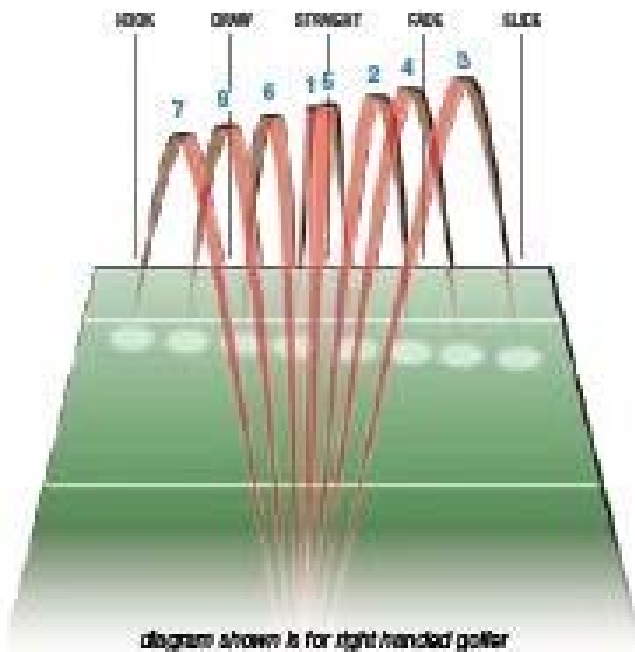
APOLLO
SPECIALTY IRON & CLUBS

Bella

DYNACRAFT

Dynacraft Prophet ICT 2 Titanium Drivers

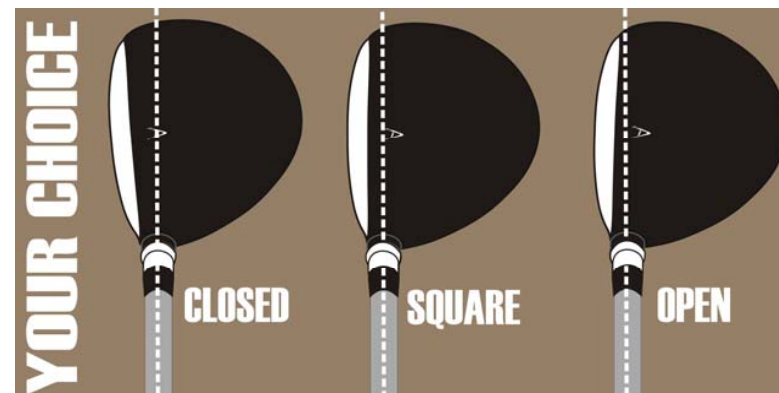
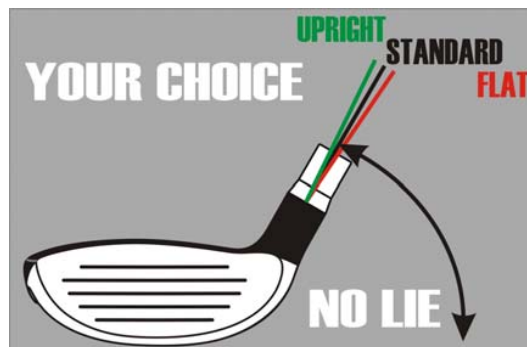
- Complete adjustability for face angle and lie, plus multiple shafts
- New shape – more traditional rather than the 1st version's geometric shape
- New hardware – harder screw, plus the tool will be a 4mm hex wrench
- Can accept the adapters we provided last year if you just want a new head – all they have to do is unscrew the ICT adapter and pull the old shaft and put it in the new head – it's that simple!



Available: RH 9.5°, 10.5° and 12°

Dynacraft Prophet ICT 2 Fairway Woods

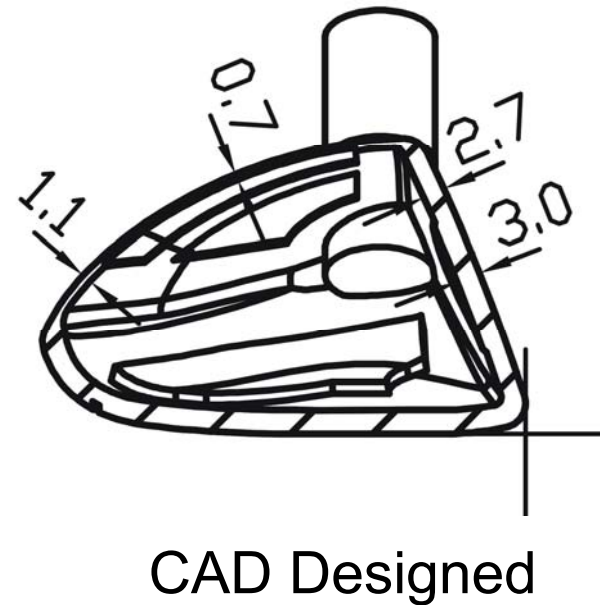
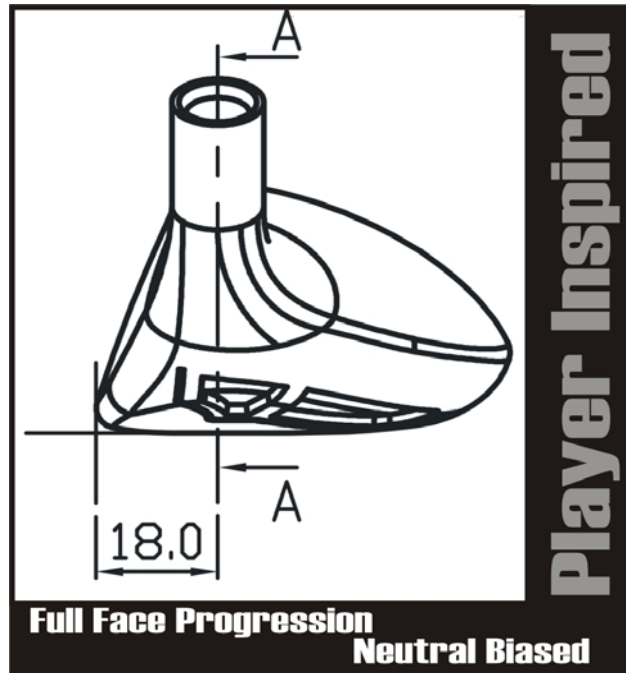
- Complete adjustability for face angle and lie, plus multiple shafts
- Uses the same adapter as the driver, including wrench and hardware
- These can be used for virtually any golfer because of the range of face angles. High handicapped golfers can put the ICT adapter into closed faced positioned to prevent them from slicing the ball, while better golfers have the ability of multiple open faced positioned to prevent hooking the ball.
- Smaller head size but still very forgiving
- Variable Face thickness
- Variable Crown thickness
- Uses a ferrule designed for the driver as the fairway wood ferrules will be too small



Available: RH 3, 5 & 7

Dynacraft Prophet ICT 2 Hybrid

- “*Better player’s*” hybrid with no offset
- Smaller head size, but still very forgiving compared to an iron
- Variable Face thickness
- Variable Crown thickness
- These do not use the ICT adapter



Available: RH 2, 3 & 4

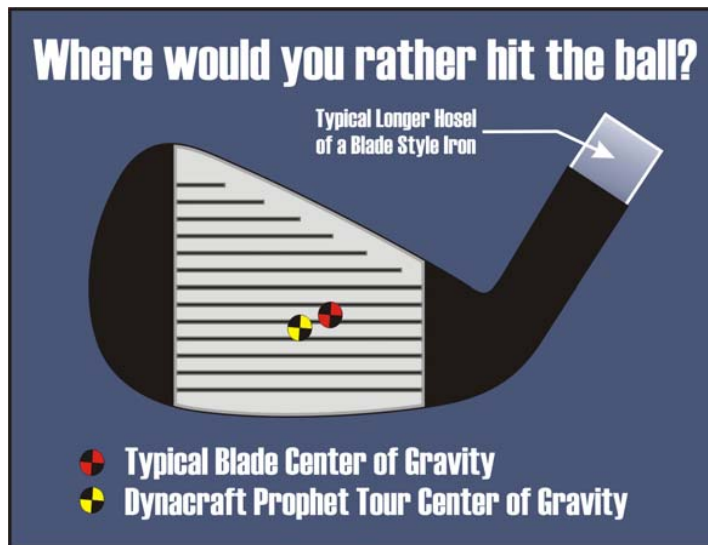


Power Play



Dynacraft Prophet Tour Irons

- Blade style appearance
- Stability Slot for added forgiveness
- Shorter hosel than traditional blade iron to put more weight behind the ball for that “Purer” feel
- Finish is the same black PVD finish used on the Caiman driver and Raw Power fairway
- Made of a softer 304 stainless steel that is cast (not forged), but extremely bendable for lie



Available: RH 3-9, PW, SW, LH 3-9, PW, SW

Tour Gear Collection – Our Value Line

- Driver made of 7075 Aluminum – not titanium
- Face is much thicker than a titanium driver so ball will come off the face with slightly less speed and probably a little less distance
- However, large 460cc head still offers as much forgiveness as a similar sized titanium driver



-
- Aluminum fairways not quite the same tight manufacturing tolerances of our stainless models
 - Higher lofts as most people using these will be beginners who need all the help they can get to get the ball airborne
 - Triangular shape, like driver and hybrids

-
- Aluminum hybrids are very shallow or low profile heads should hit the ball high and will make the ideal substitution for those hard-to-hit long irons

-
- Irons made of zinc with generous face or hitting area
 - Not to be bent for lie or loft

Available: RH 10.5° Driver, 3W, 5W, 3HY, 4HY, 3-9, PW, SW

acer

Power Play

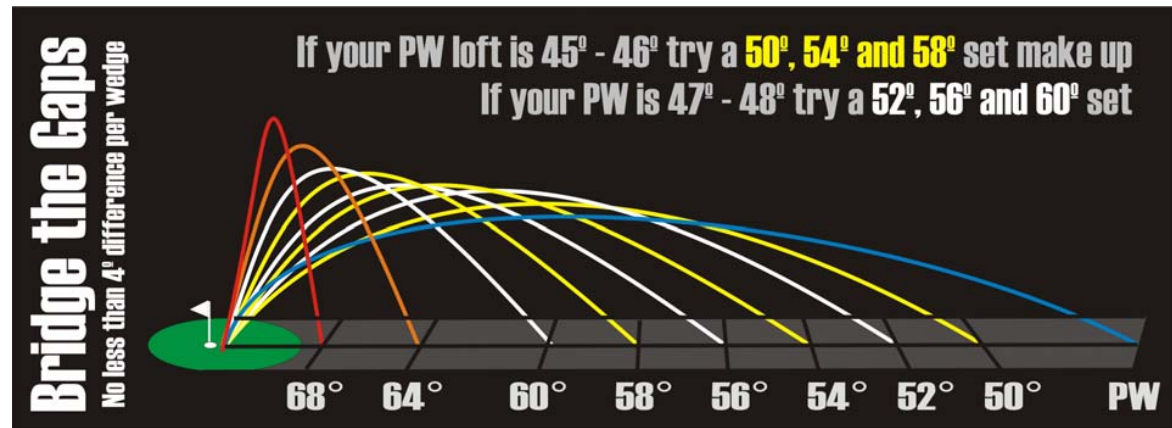
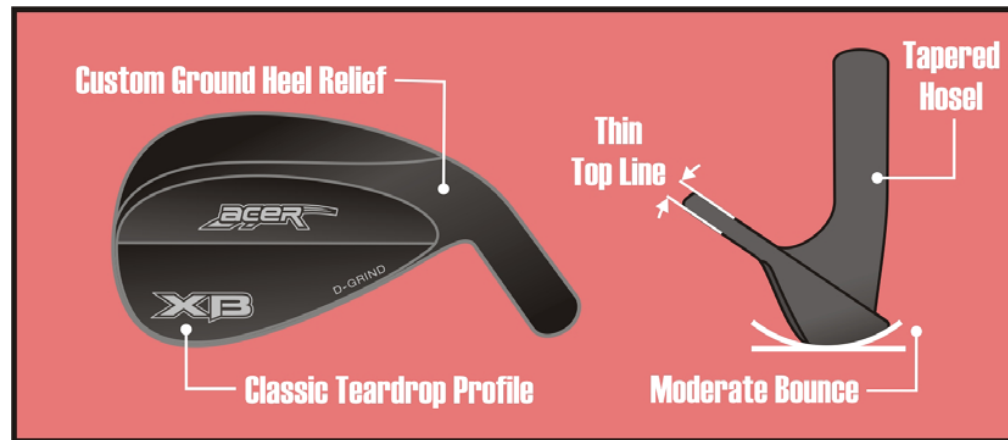
APOLLO
EQUIPMENT & MORE

Bella

DYNACRAFT

Acer XB Wedges

- D-grind sole allows face to be opened and not cause excessive bounce
- 4 different finishes: Pearl Chrome, Matte Black, Satin and High Polish
- More lofts to choose from including ones we have not offered before
- Golfers using a 45-46° PW may find that a 50, 54 and 58° set produces the proper distance gaps
- Golfers using a 47-48° PW may find that the traditional 52, 56 and 60° set produces the proper distance gaps



Available: 39 models - too many to list!



Dynacraft On-Line Putter

- Effective, face-balanced mallet design
- Pick or scoop up the ball off the ground without bending over
- Mark lines on the ball (with a Sharpie pen) for alignment – like those plastic tools that get lost on the bag
- Sharpie pen sold separately



1. MARK YOUR BALL (sharpie not included)



2. ALIGN & PUTT



3. SCOOP IT UP!



acer

Power Play

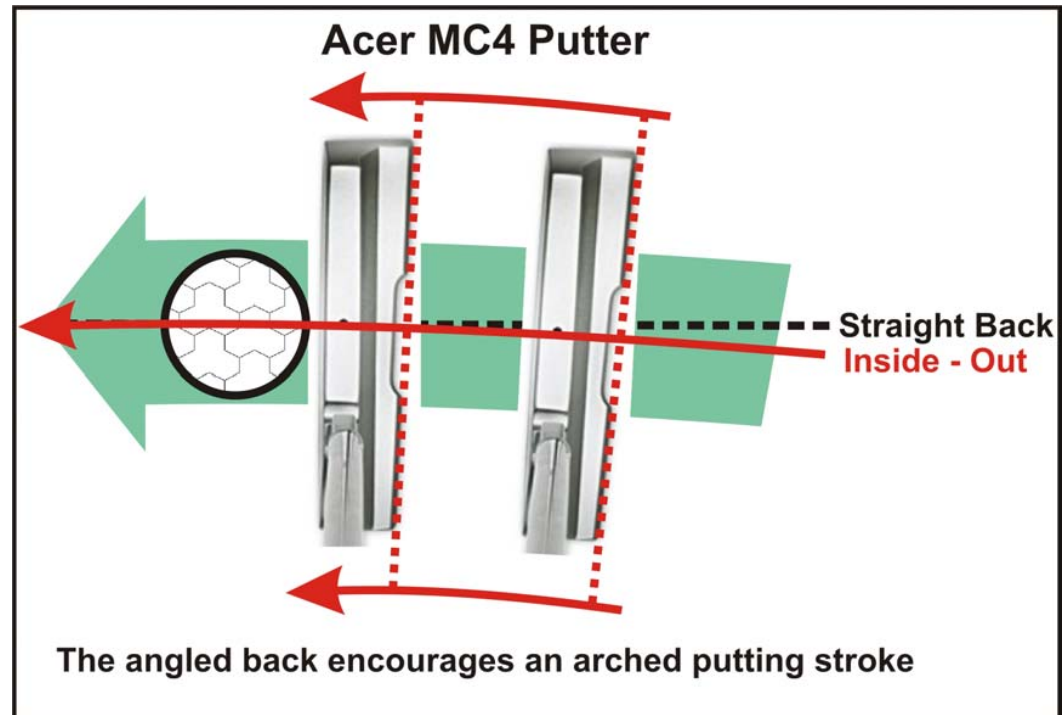
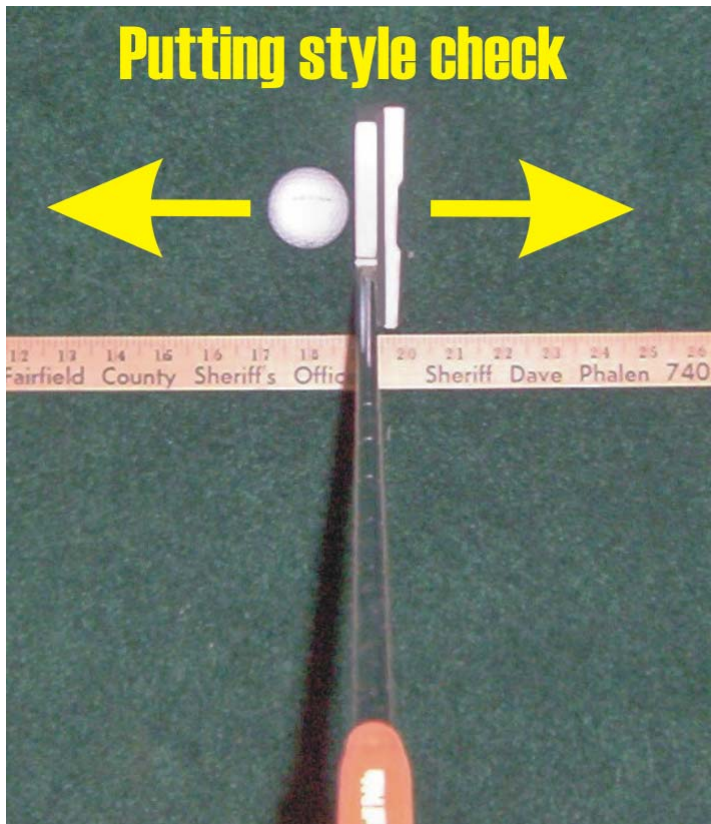
APOLLO
Equipment for Golfers

Bella

DYNACRAFT
EQUIPMENT CO., INC.

Acer MC4 Putter

- Traditional heel-shafted blade style appearance
- Back of the putter is angled (toe is wider than heel) to promote an inside/out swing path somewhat like the Acer XDS Insider
- Takes a regular .370" steel putter shaft that fits over a post



Acer CB7 Putter

- High MOI mallet design
- Center shafted and may also make a nice belly putter model
- Takes a regular .370" steel putter shaft that fits over a post
- Has an aluminum insert for a nice, soft feel



Acer CB8 Putter

- Very high MOI mallet design
- Bold alignment guides
- No face insert like the other in the series
- Takes the curved shaft



iBella Volare Putter

- Styled like a traditional Anser-style putter, but the heel and toe weighting takes the form of butterfly wings
- Takes a regular .370" steel putter shaft that fits over a post
- Those are authentic Swarovski crystals inlayed in the putter



Value Series Putter

- Three new low cost, zinc putters finished in black





PROFESSIONAL GOLF CLUBS AT DOWN TO EARTH PRICES

THANK YOU FOR ATTENDING!

The webinar will be posted on youtube.com/hirekogolf and on our blog at blog.hirekogolf.com in just a few hours.

Jeff Summitt, Technical Director

jsummitt@hirekogolf.com

Technical Support 800 942-5872

www.HirekoGolf.com

Sales 800 367-8912

